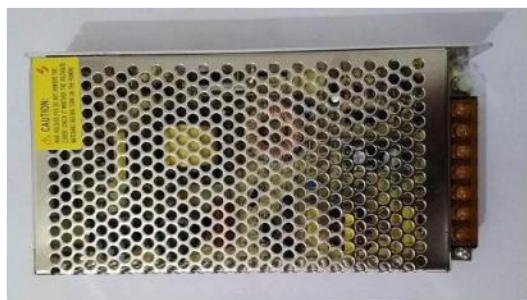


145 W Series SMPS Battery Charger (CCCV)

S145 Series



Dimension:199*98*38mm

Features:

- AC input voltage range selected by switch
- Small volume, low weight, high efficiency
- Protections : short circuit/over load/over voltage
- Cooling by free air convection
- LED indicator for power on
- 100% full load burn-in test
- 1 Year warranty

SPECIFICATION

Model		S-145-5	S-145-12	S-145-15	S-145-24	S-145-48
Output	DC voltage	5V	12V	15V	24V	48V
	Voltage tolerance	± 1%	± 1%	± 1%	± 1%	± 1%
	Rated current	29A	12A	10A	6A	3A
	Current range	0~29A	0~12A	0~10A	0~6A	0~3A
	Rated power	145w	144w	150w	144w	144w
	Ripple&noise	100mVp-p	150mVp-p	100mVp-p	150mVp-p	150mVp-p
	DC voltage ADJ. range	± 10%	± 10%	± 10%	± 10%	± 10%
Setup, rise, hold up time		100ms,50ms,22ms/230VAC.				
Input	Voltage range	90 ~ 132VAC/180 ~ 264VAC(Selected by switch) 47 ~ 63Hz, 255 ~ 373VDC				
	AC current	3.2A/115V 1.6A/230VAC				
	Efficiency	78%	80%	80%	82%	83%
	Inrush current	Cold start 20A/115V 40A/230VAC				
	leakage current	< 3.5mA/240VAC				
Protection	Overload	Rated output power115% ~ 150%Start overload protection protection type : cutoff output, restart power after fault condition is removed can recover normal output				
	Over voltage	6.8 ~ 8.2V	15.6 ~ 17.8V	15.6 ~ 17.8V	30.6 ~ 33.2V	54.8 ~ 56.6V
Environment	Working temp, humidity	-10°C ~ +60°C;20% ~ 90%RH(Please refer to "derating curve")				
	Storage temp, humidity	-20°C ~ +85°C;10% ~ 95%RH Non-condensing				
	Withstand vibration	10 ~ 500Hz, 2G 10min./1Cycle, Period for 60min, Each axes				
Safety	Withstand voltage	I/P-O/P: 1.5KVAC I/P-FG: 1.5KVAC O/P-FG: 0.5KVAC				
	Isolation resistance	I/P-O/P; I/P-FG,O/P-FG; 100M Ohms/500VDC				
Fit Standard	Safety standard	Fit UL1012				
	EMC Standard	Fit EN55022, CLASSA				
Others	Dimension	0.7kg 199*98*38mm (L*W*H)				
	Weight	0.7kg/30pcs/22kg/1.20CUFT				

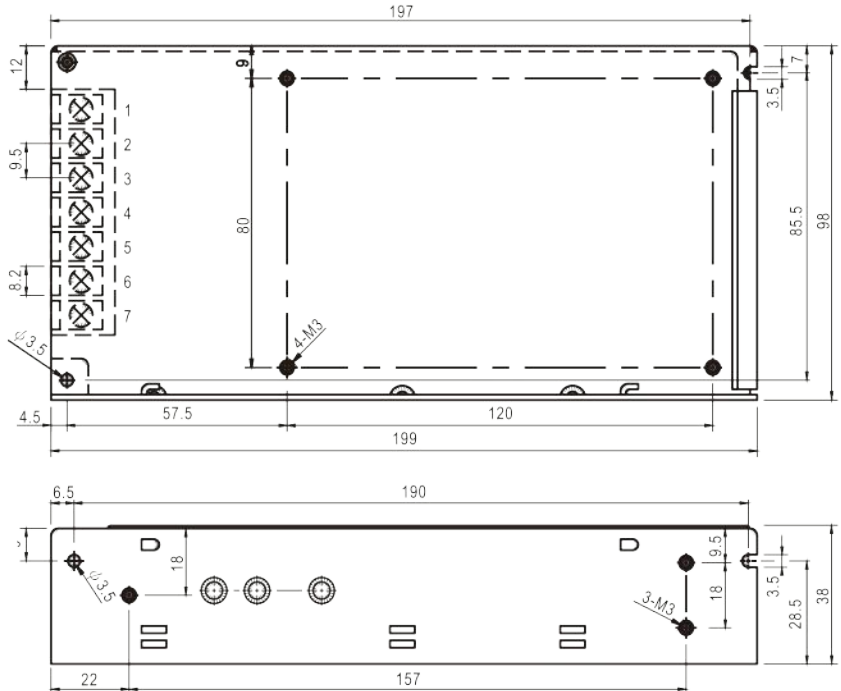
Note: 1. All parameters NOT specially mentioned are measured at 230VAC input, rated load and 25°C of ambient temperature.

2. Ripple & noise are measured at 20MHz of bandwidth by using a 12" twisted pair-wire terminated with a 0.1uf & 47uf parallel capacitor.

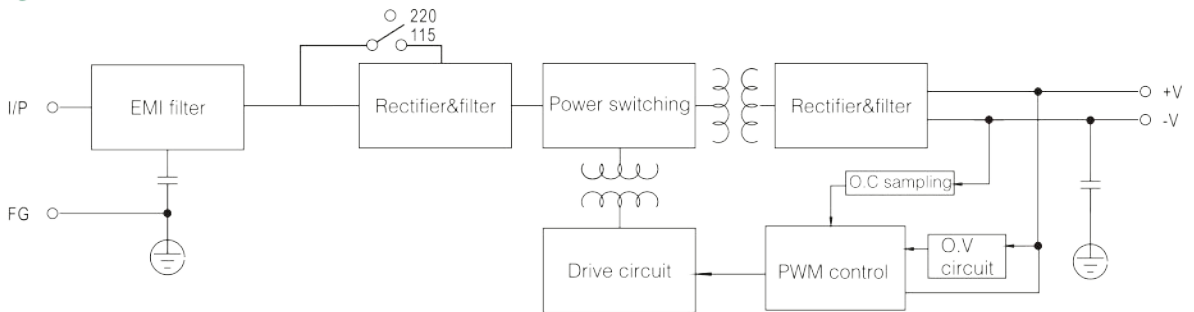
3. Tolerance : includes set up tolerance, line regulation and load regulation.

Mechanical Specification

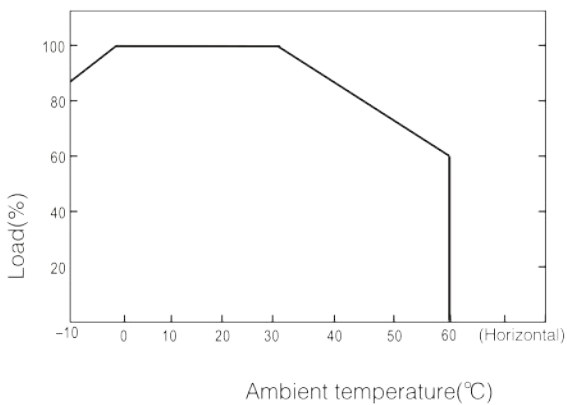
Unit:mm



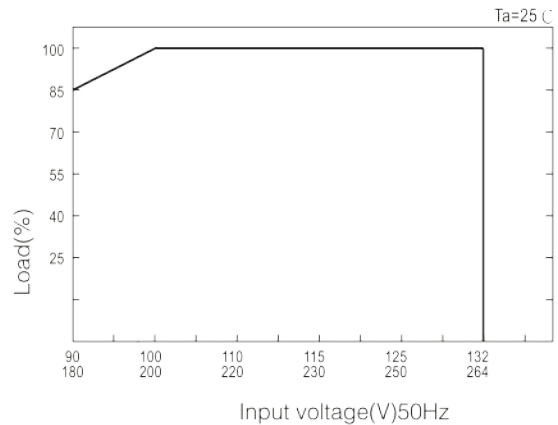
Block Diagram



Derating Curve



Static characteristic



Indo Powersys Pvt. Ltd.

(An ISO 9001, 14001, 45001, 27001, RoHS & CE Certified Co.)

J-1249, Phase III, Sitapura Industrial Area, Jaipur-22

Ph. : 0141-2771421, 2771422

E-mail : info@ips2k.com, indopowersys@gmail.com

Web. : www.ips2k.com • Service Hotline No. 9928014076

